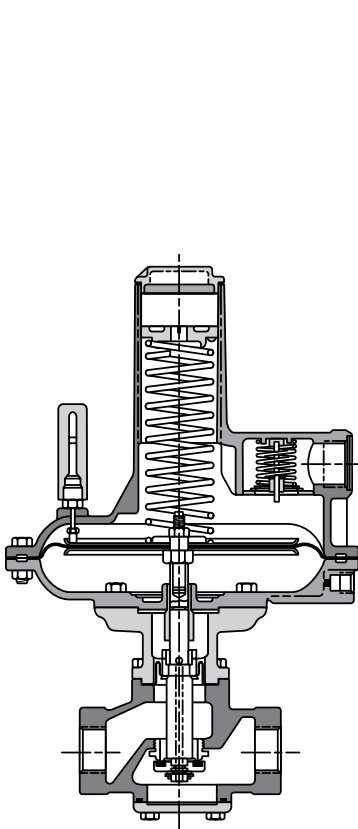
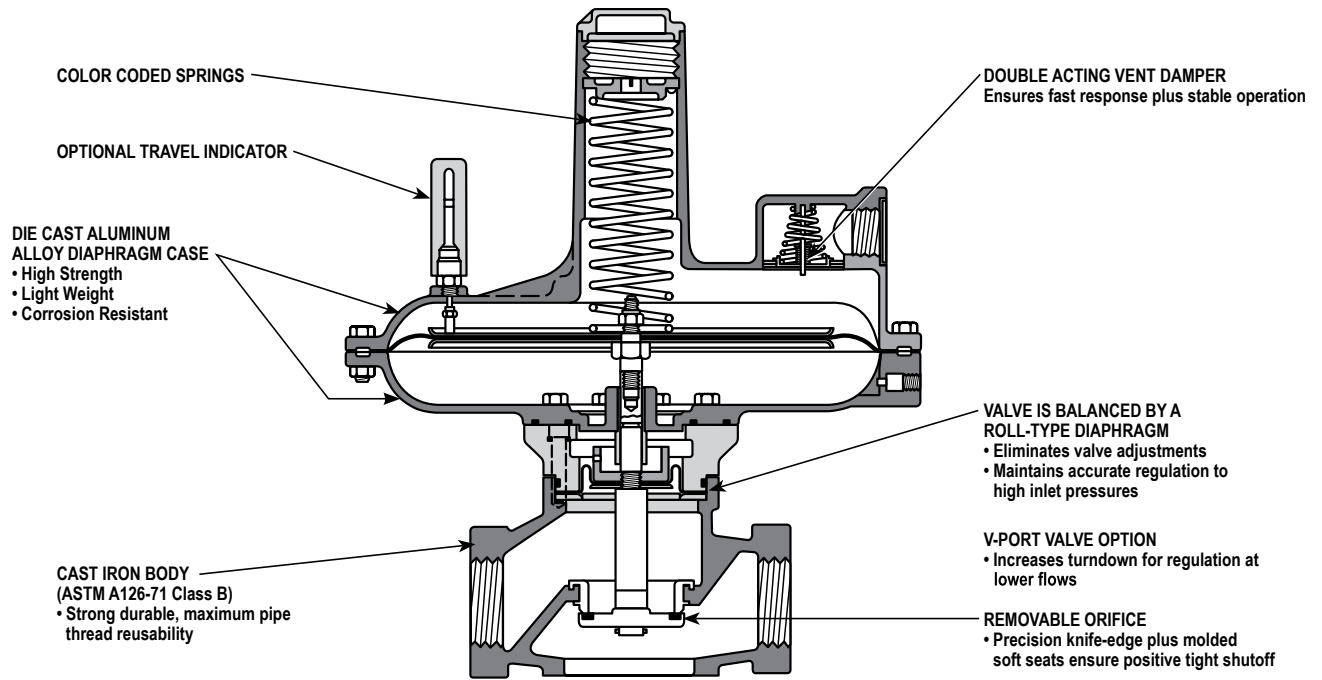
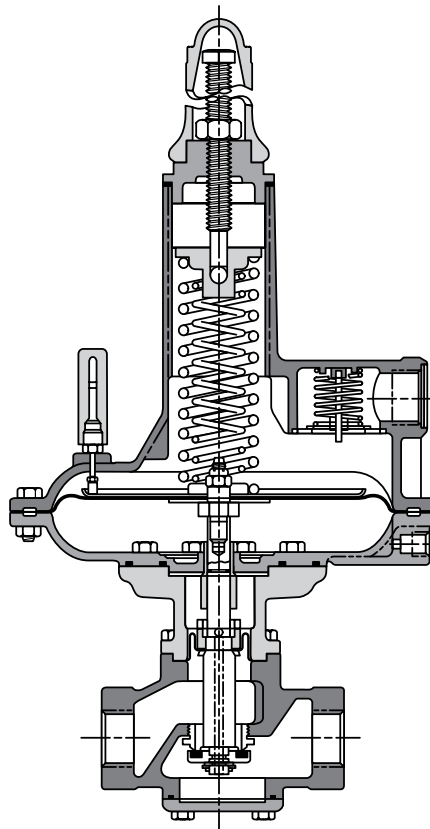


# Model 121 Illustrations

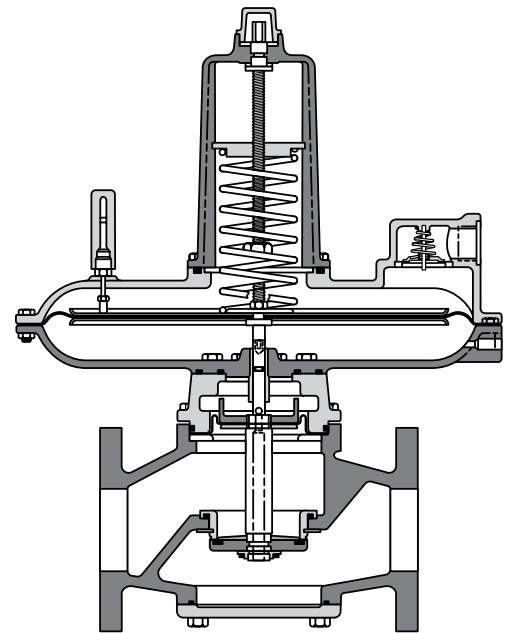
## 1½", 2" and 2½" Model 121-12 Regulator



¾", 1" AND 1½"  
MODEL 121-8

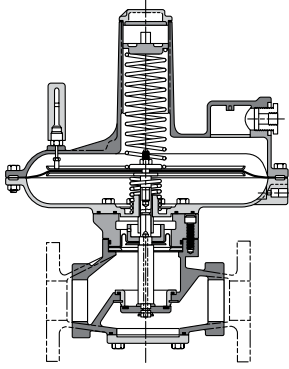


HIGH PRESSURE SPRING ADJUSTMENT  
FOR 3 PSI TO 10 PSI OUTLET PRESSURE  
MODEL 121-8HP

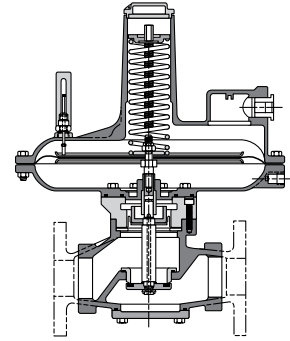


3" AND 4"  
MODEL 121-16

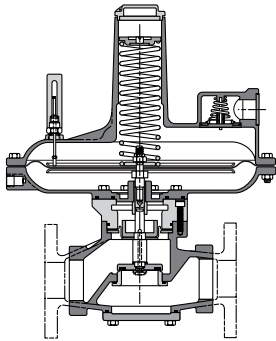
### Variations



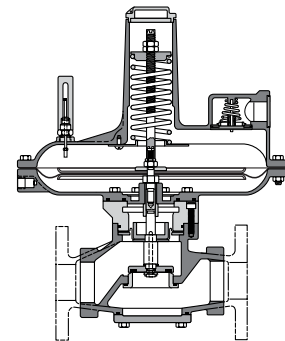
**Zero Governor**



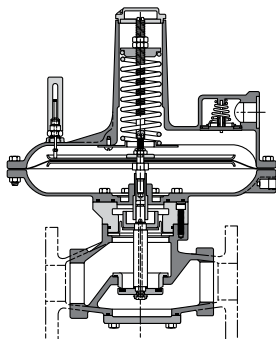
**Differential Regulators**



**Back Pressure Regulator**



**Vacuum Regulator**



**Vacuum Breaker**

