



FE

Balanced Two stage, dual diaphragm residential service regulator

DESIGNED, TESTED AND CERTIFIED EXCEEDING THE FOLLOWING STANDARDS:

- ANSI Z21.80a & CSA 6.22a for 10 PSIG inlet applications
- ANSI B109.4
- CSA B149/CSA 6.18

Classification and Application Fields

FE series of two stage balance valve spring controlled regulator are widely used for both residential and commercial installation using **Natural gas, LPG and other non corrosive gases.**

The **FE** is designed either for gas meter fixed factor billing and for general pipeline work and it can be mounted in any position.

If the installation it is in enclosed area, the internal relief vent can be simply piped to outside. Simple installation procedure are provided with the regulator.

The regulators are manufactured according to **ANSI B109.4** and **CSA 6.18-02.**

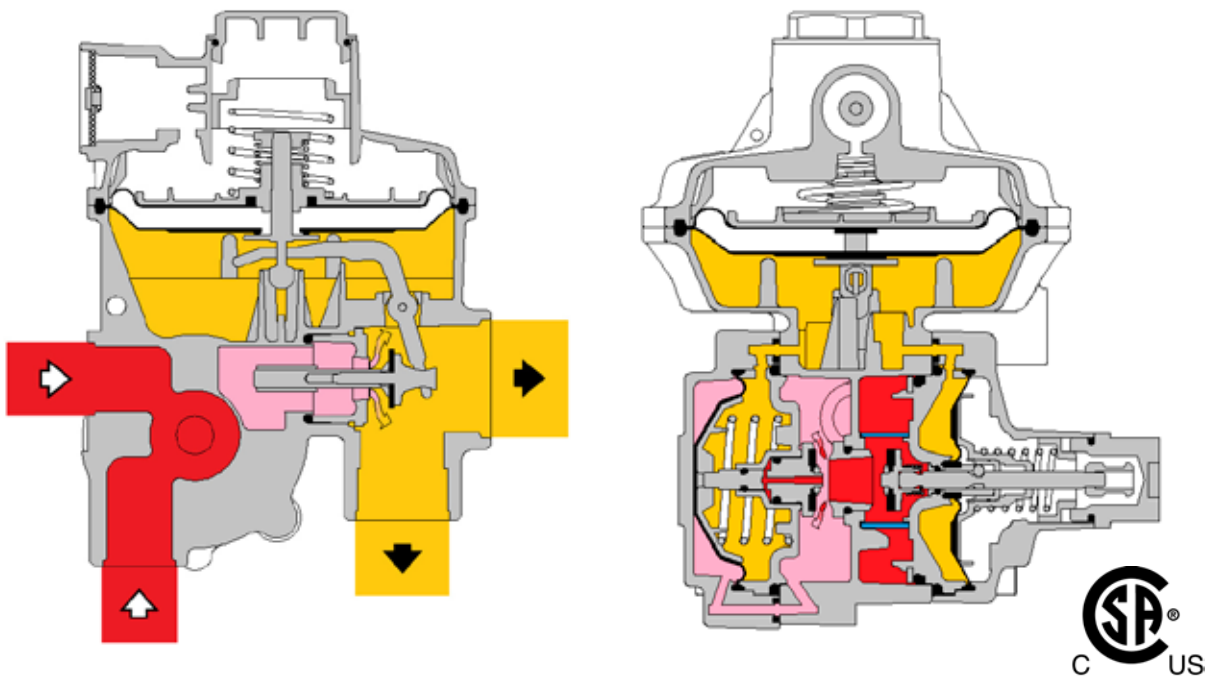
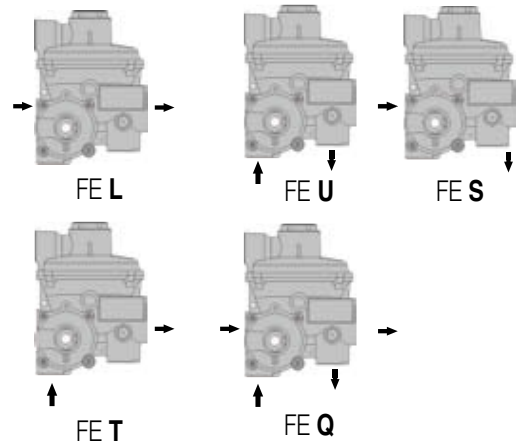


Fig.1

FE - CSA Version

- Inlet pressure (Pu)
- Intermediate pressure
- Outlet pressure (Pd)

Connection configuration



MAIN FEATURES

- **Inlet pressure range bpu:** 2.2÷125 psig (0,15÷8,6 barg)
- **Max allowable pressure:** PS: 125 psig (8,6 barg)
- **Outlet pressure range Wd:** **BP:** Wd: 5.2÷72.3" wc (13÷180 mbar)
TR: Wd: 2.6÷7.2 psig (180÷500 mbar)
- **Over pressure shut-off range:** Wd OPSO **BP** 14÷120,5" wc (35÷300 mbar)
Wd OPSO **TR** 4.3÷11.6 psig (300÷800 mbar)
- **Accuracy class AC:** up to 5%
- **Lock up pressure class SG:** up to 10%
- **Temperature:** Gas Temperature -4°F +140°F (-20°C +60°C) and
Ambient Temperature -40 to +140 °F (-40°C +60°C)
- **Capacity: 882 SCFH**

Safety devices and accessories:

- **Inlet filter:** area 0.775 SQI (500 mm²) 300 µm efficiency (cleanable)
- **Over pressure shut-off device (OPSO);**
- **Excess flow valve;**
- **Manual reset of safety shutoff device only;**
- **Token relief valve;**
- **Safety shut-off for second stage diaphragm failure.**

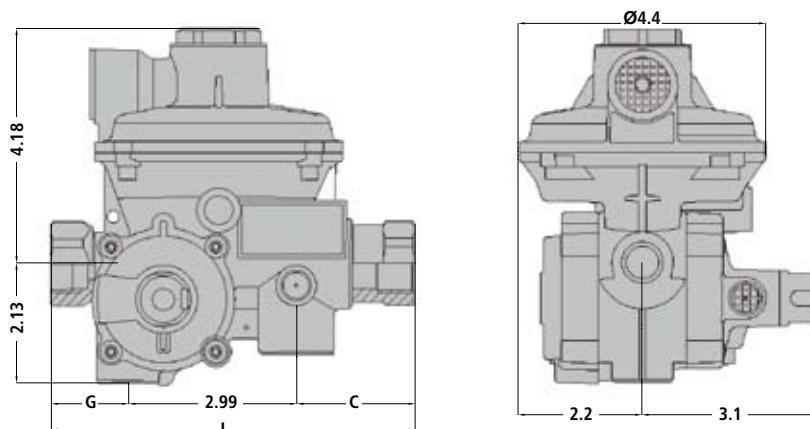
Materials:

- **Body:** Aluminum
- **Cover:** Aluminum
- **External paint:** Epoxy polymeric powder paint

The FE regulators comply with and are certified to CSA 6.22a-2005 and ANSI Z21.80a-2005 for 10 PSIG inlet applications. The FE design can incorporate a vent limiter. To ensure the installation complies with CSA 6.22a-2005 and ANSI Z21.80a -2005. When using an external vent limiter, the flat top of the vent limiter must always be facing up. Minimum vent size for the FE is 1/4" O.D. tubing. CSA witness test diaphragm failure vent rate is less than .8 cu.ft./hr.

Minimum vent size for the FE is 1/4" O.D. tubing. **CSA witness test diaphragm failure vent rate is less than .8 cu.ft./hr.**

DIMENSIONS



For dimension G-C-I depending on selecting connections.

Inlet	Outlet	G	C	I
3/4" NPT	3/4" NPT	1.37	2.1	6.7
3/4" NPT	1" NPT	1.61	2.1	6.47
1" NPT	1" NPT	1.61	2.1	6.7
Dimensions in inches				Tab. 1

Weight

4.4 Lbs

Tab. 2

www.florentini.com

The data are not binding. We reserve the right to make changes without prior notice.

